

## Single-hole mixer

22 815 892



- 235 mm projection
- pivotable spout 360°
- air-enriched flow
- height of mixer 378 mm
- height up to aerator 220 mm
- hole diameter 35 mm
- max. flow 7 l/min at 3 bar flow pressure
- lead-free
- This product can help a building to meet requirements of Green Building Rating Systems, e.g. LEED®, BREEAM®, DGNB

	Matte Black	22 815 892-33
	Chrome	22 815 892-00
	Brushed Platinum	22 815 892-06
	Platinum	22 815 892-08
	Durabrand (23kt Gold)	22 815 892-09
	Dark Chrome	22 815 892-19
	Brushed Durabrand (23kt Gold)	22 815 892-28
	Brushed Champagne (22kt Gold)	22 815 892-46
	Champagne (22kt Gold)	22 815 892-47
	Brushed Chrome	22 815 892-93
	Brushed Dark Platinum	22 815 892-99

### Recommended miscellaneous

**Dispenser with rosette**

82 444 970-33



### Recommended miscellaneous

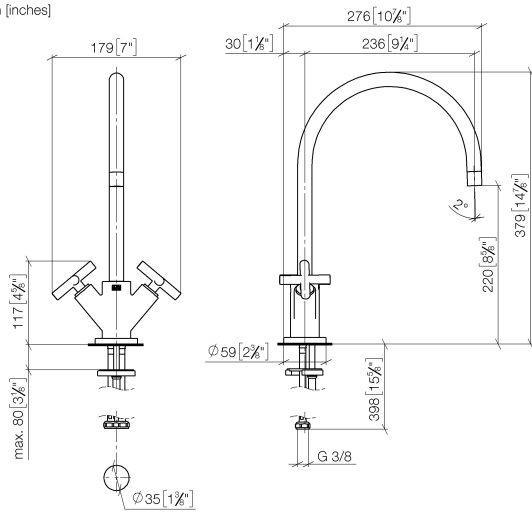
**Strainer waste with control handle** 10 710 970-33



## Single-hole mixer

22 815 892

mm [inches]



## Flow rate chart



# Single-hole mixer

22 815 892

Parts for other  
finishes can be found  
here: [Chrome](#)

